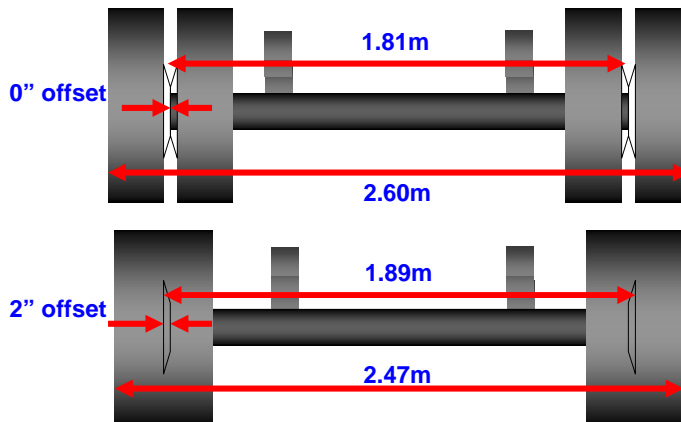


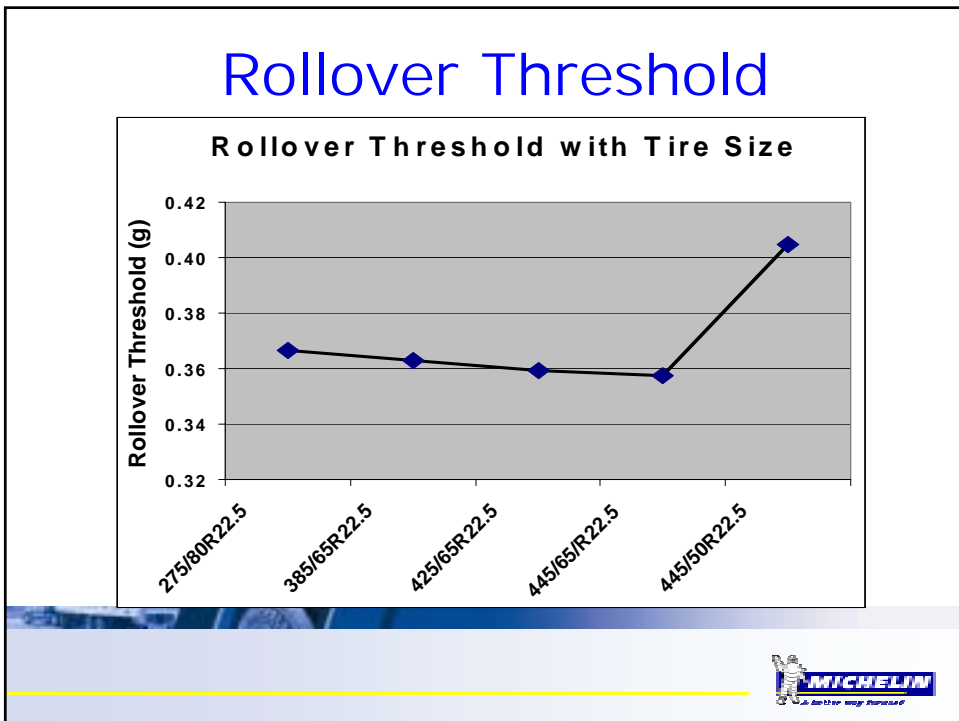
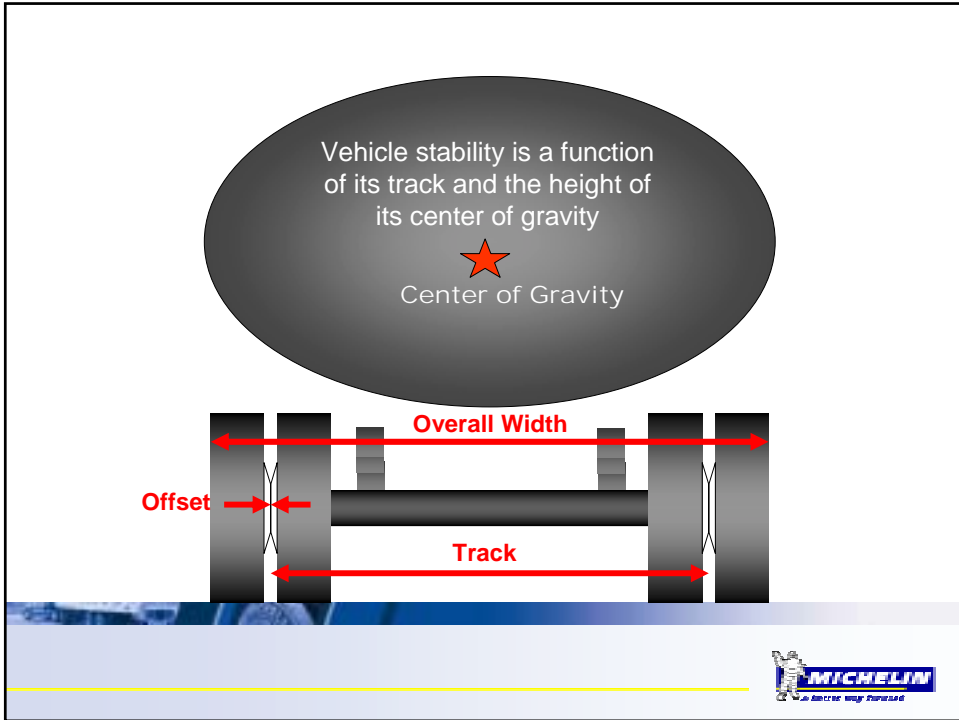
Vehicle Track Width

Current regs 2.5 – 2.6 m



How do new single tires affect track width?





Tolerance.

